



FLEX

Mixer Taps

Code: R521 F00

MITIGEUR FLEX



DETAILS

Mixer type Single lever faucet with rotating barrel and flexible head.

Texture Chromed

Coloring Black

Material Brass

Rotating angle 360°

Strengthening plate 48 x 48 mm

Cartridge With ceramic discs

Mixer hole ø35mm

Max worktop thickness 40mm

FEATURES

Double jet (flow and rain)

Several models are equipped with a switch to easily change the flow from continuous to shower.

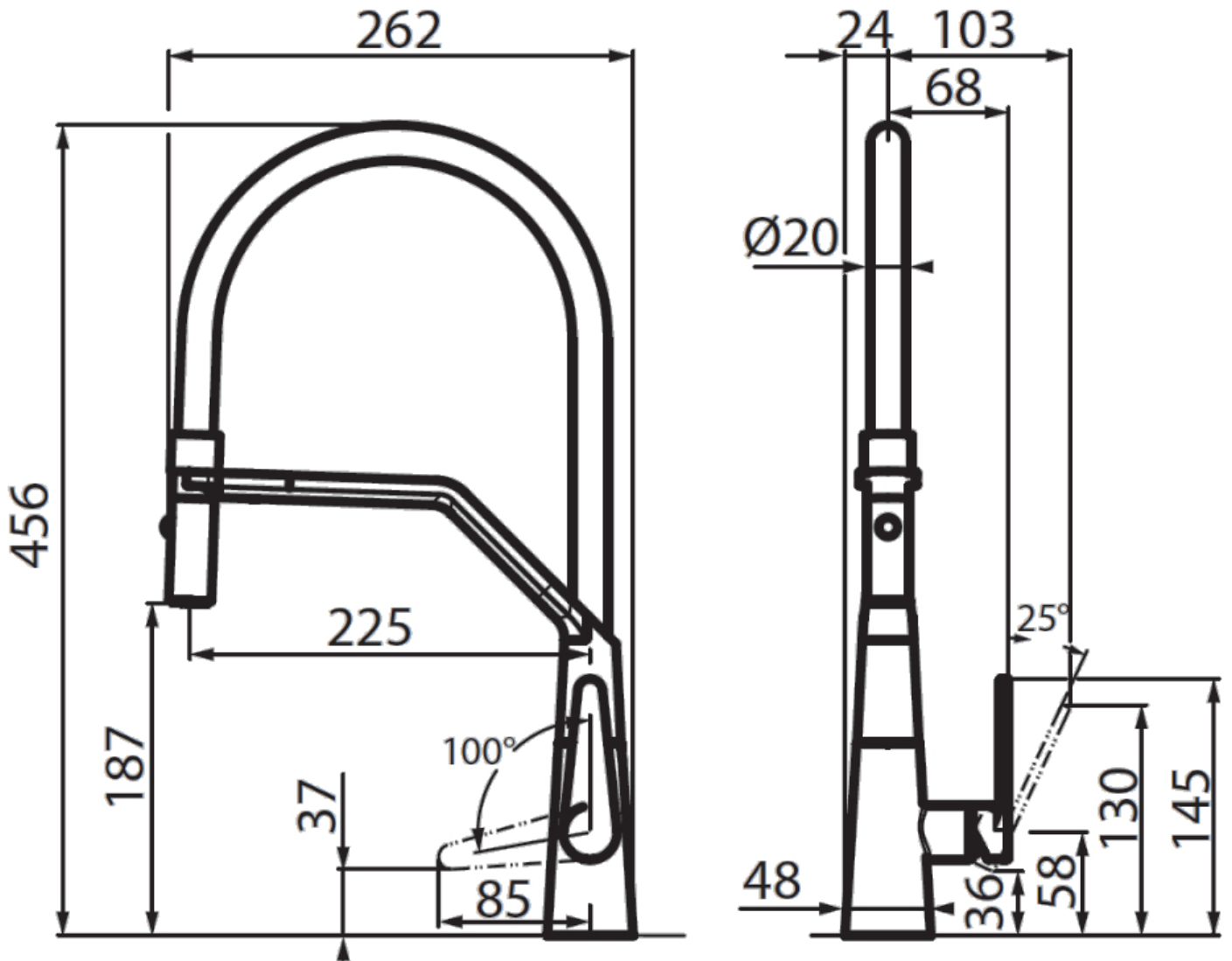
Strengthening plate

Foster's mixer taps are equipped with the strengthening plate that offers perfect stability on any sink.

Rotating angle

All the taps have a wide angle of rotation. Some models even permit a full 360° rotation.

TECHNICAL DATA



GALLERY

